

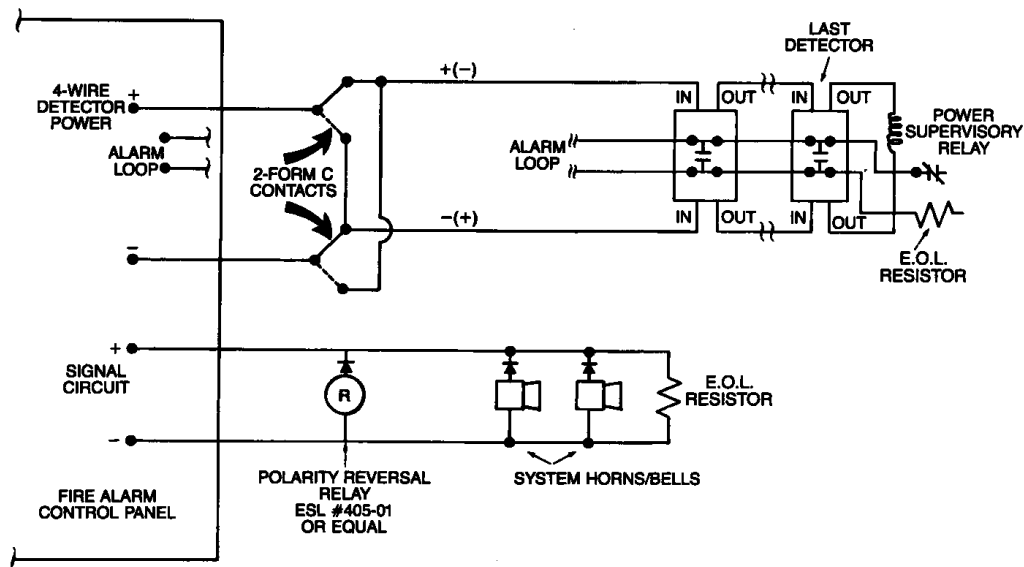
## PRODUCT UPDATE: 8240P SERIES

(The 6240P Series has been discontinued and the 8240P Series has been re-designed to incorporate this option)

The 8240P(Y) & 8240PH(Y) are 4-wire detectors equipped with integral piezo-electric signals. These internal signals are activated upon detection of smoke at the detector of alarm or upon reversal of polarity of the detector power. This application enables the integral piezo to operate either as a local evacuation signal or as a system signalling device.

The most likely application would be an 8240PY or 8240PHY. The detector would be used as a local smoke detector with the alarm contacts **not** connected to the alarm loop of the control panel. In this manner, upon detection of smoke, the piezo would sound at the detector of alarm and restore to normal after smoke clears. If equipped with the isolated thermal (H option), the thermal contact would be connected to the alarm loop. If any device connected to the alarm loop is activated the alarm panel is put into an alarm condition which activates the polarity reversal relay which activates the piezo signals in all connected 8240PY/8240PHY smoke detectors. The piezo would continue to sound until the panel is reset or until the alarm/signal silence is manually operated at the panel.

### WIRING DIAGRAM



#### NOTES:

- 1) When energized by reverse polarity only the piezo signal is activated within the detector. The auxiliary and alarm contacts and alarm LED are not energized unless the unit detects smoke.
- 2) While operating in reverse polarity mode, the detector may still detect smoke and operate, thus activating all relays and LED.
- 3) The polarity reversal relay should be connected to the signal circuit of the panel so that the signals will silence upon operation of the Alarm Silence button at the fire alarm control panel.
- 4) The contacts of the reversal polarity relay must be of adequate rating to carry the current load of all connected integral detector signals.
- 5) The reverse polarity relay must be polarized with a blocking mode to provide for supervision of the signal circuit.
- 6) The power supply of the fire alarm control panel must be sized to provide for simultaneous and continuous operation of all integral piezo signals.
- 7) If latching detectors are used, it will be necessary to operate the 4-wire detector reset at the fire alarm control panel to reset any detectors in actual alarm condition.