

12/24VDC, Low Current Mini-Horn with Terminal Blocks

G X 9 3

S E R I E S

Applications

The GX93 Series mini-horn is a high quality remote audible signaling appliance that offers dependable remote annunciation. The GX93 is ideal for applications where a dependable audible alarm signal is required in applications such as hotels, dormitories and apartments. The GX93 is listed for use with both filtered and unfiltered power and a jumper is provided to select either temporal 3 or continuous tone.

The GX93 can be used on the same sync circuit (AVSM Series Control Module) as other Gentex signals. The GX93 Series is ANSI/UL 464 listed for use with fire protective systems and are warranted for three years from the date of purchase.



Standard Features

- Single unit is capable of 12 or 24 VDC determined by the input voltage
- Unit dimensions: 4.48" (11.38 cm) high x 2.84" (7.21 cm) wide x 0.5" (1.27 cm) deep
- Jumper selectable temporal 3 or continuous tone
- Horn frequency is 3100Hz
- Terminal blocks (12 AWG to 18 AWG)
- Low current consumption
- Variety of mounting options for new construction and retrofit applications
- Synchronize using the Gentex AVSM Series control module (see Technical Bulletin 015)
- ANSI/UL 464 listed for fire protective service
- Textured finish high impact plastic faceplate, available in red or off-white

Model Number	Part Number
GX93-R	904-1276-002
GX93-W	904-1277-002
GX93-PR	904-1267-002
GX93-PW	904-1268-002

Model Designations
"R" = Red faceplate
"W" = Off-White faceplate
"P" = Plain

Operating temperature - Indoor use only Indoor: 32° to 120°F (0° to 49°C)

NOTES: The sound output for the temporal 3 tone is rated lower since the time the horn is off is averaged into the sound output rating. While the horn is producing a tone in the temporal 3 mode its sound pressure is the same as the continuous mode.

GX93 Current Ratings	
24 VDC	22mA
24VDC UL Max ¹	18mA
12VDC UL Max ¹	13mA

Horn Mode	Minimum SPL at 10 feet per ANSI/UL 464 at 24VDC	Minimum SPL at 10 feet per ANSI/UL464 at 12VDC	Reverberant dBA at 10 feet per ANSI/UL 464	In Anechoic Room dBA @ 10ft.
Temporal 3	81 dBA	78 dBA	78-86	90
Continuous	86 dBA	83 dBA	78-86	90

¹ RMS current ratings are per ANSI/UL average RMS method. ANSI/UL max current rating is the maximum RMS current within the listed voltage range (16-33VDC for 24VDC units) (8-17VDC for 12VDC units). For strobes the ANSI/UL max current is usually at the minimum listed voltage (16VDC for 24VDC units) (8VDC for 12VDC units). For audibles the max current is usually at the maximum listed voltage. For unfiltered FWR ratings, see installation manual.

Product Listings



- ANSI/UL 464 Listed
- CSFM Listing 7135-0569:126
- BFP (City of Chicago)
- MEA #285-91-E-XVI

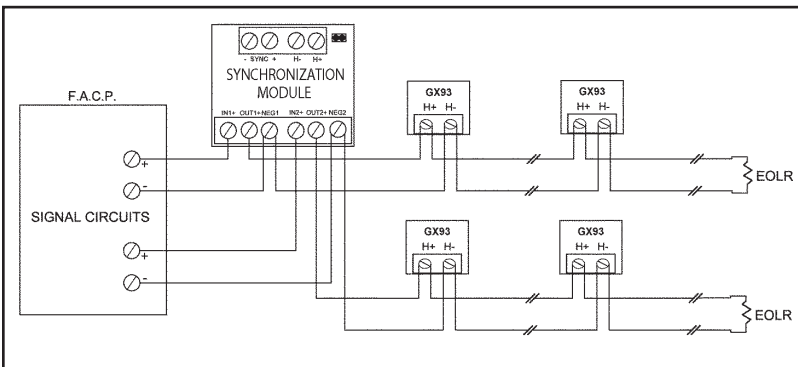
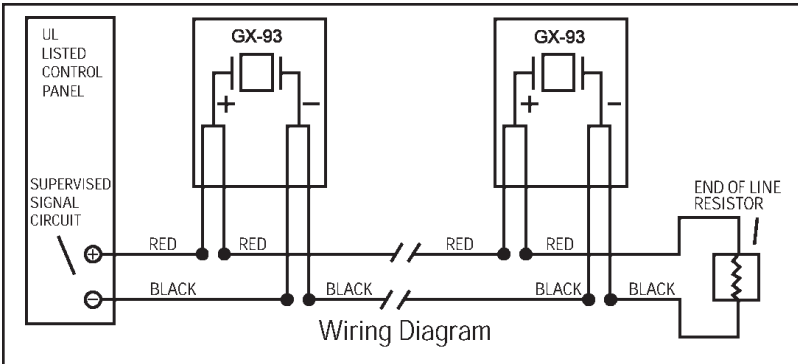
Product Compliance

- NFPA 72
- IBC/IFC/IRC
- Quality Management System is certified to: ISO 9001:2008

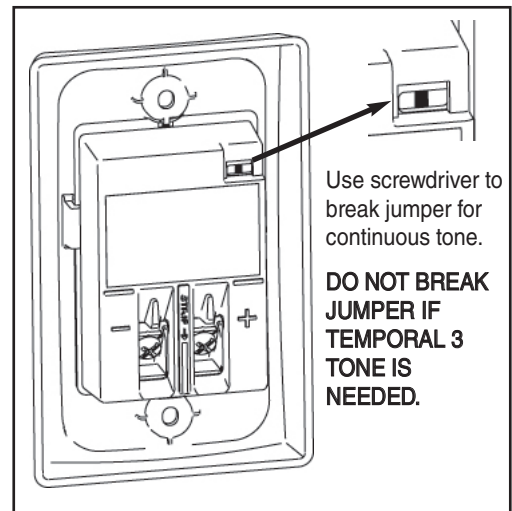
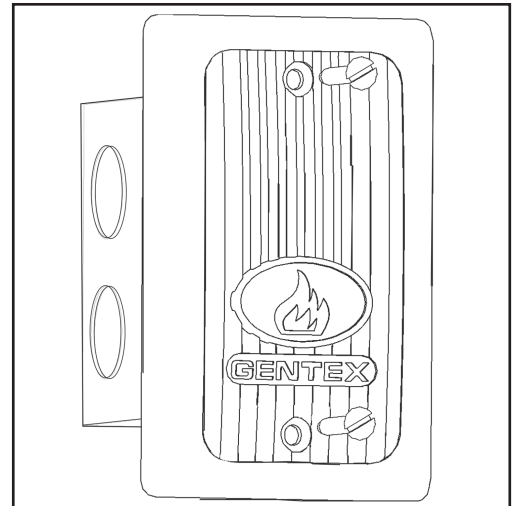


G X 9 3 S E R I E S

Mini-Horn Wiring



Mini-Horn Mounting



Architect & Engineering Specifications

The alarm horns shall be Gentex model GX93. The appliance shall be listed with Underwriters Laboratories (ANSI/UL) for use with fire protective signaling systems (ANSI/UL 464) and produce a peak sound output of 90dBA or greater as measured in an anechoic chamber. The appliance shall be of solid-state construction and be polarized to operate from 8-33VDC with a 22mA current drain at 24VDC. The appliance shall be provided with 2 terminals, and mount to a variety of single-gang back boxes.

24 units per carton
6 pounds per carton

GENTEX CORPORATION

Fire Protection Products Group • www.gentex.com
10985 Chicago Drive • Zeeland, Michigan 49464
616.392.7195 • 1.800.436.8391 • 616.392.4219 Fax

Gentex Corporation reserves the right to make changes to the product data sheet at their discretion.

Important Notice:

These materials have been prepared by Gentex Corporation ("Gentex") for informational purposes only, are necessarily summary, and are not purposed to serve as legal advice and should not be used as such. Gentex makes no representations and warranties, express or implied, that these materials are complete and accurate, up-to-date, or in compliance with all relevant local, state and federal laws, regulations and rules. The materials do not address all legal considerations as there is inevitable uncertainty regarding interpretation of laws, regulations and rules and the application of such laws, regulations and rules to particular fact patterns. Each person's activities can differently affect the obligations that exist under applicable laws, regulations or rules. Therefore, these materials should be used only for informational purposes and should not be used as a substitute for seeking professional legal advice. Gentex will not be responsible for any action or failure to act in reliance upon the information contained in this material.

551-0032-03